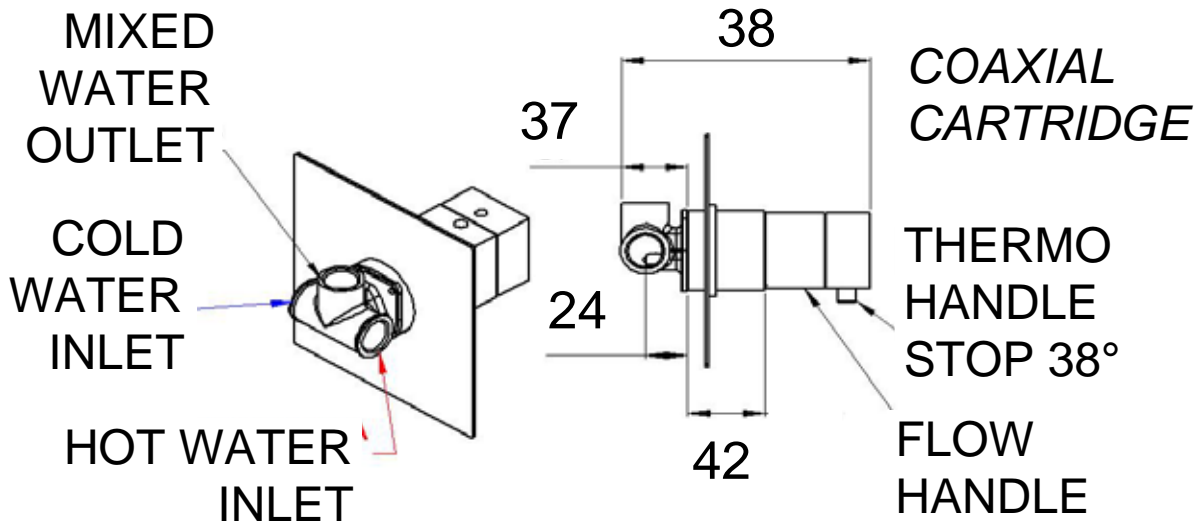
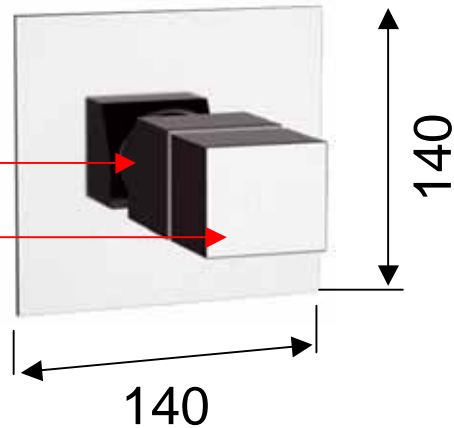


2 COAXIAL HANDLES
ON-OFF +T°

THERMOSTATIC



MATERIALI / MATERIALS

OTTONE CROMATO / CHROME PLATED BRASS

CROMATURA / CHROME PLATING

UNI EN 248