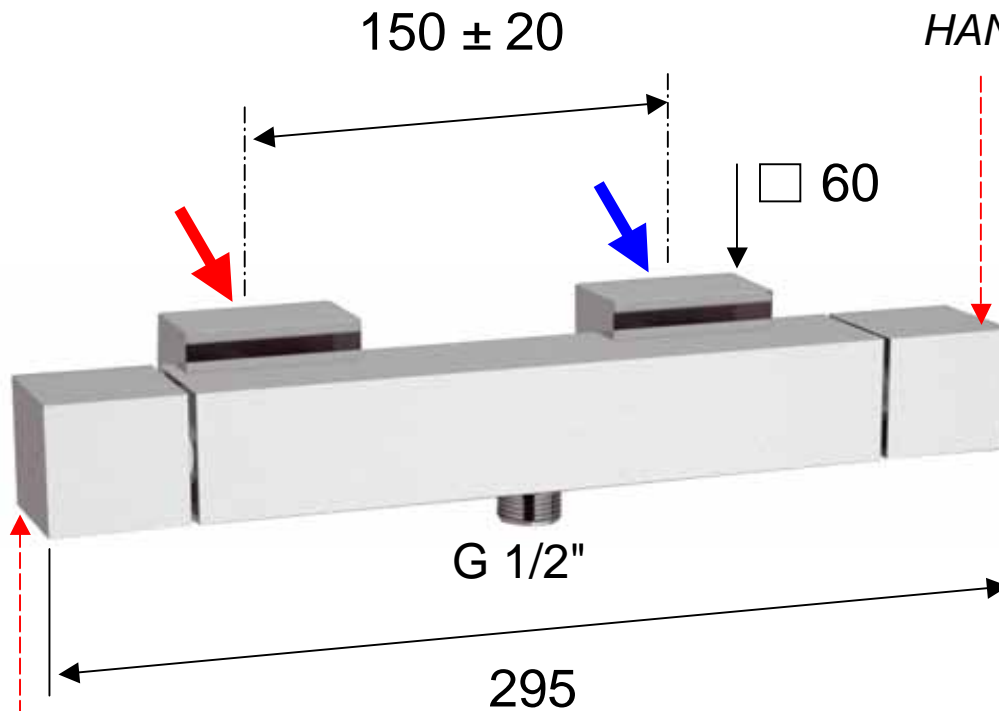


MANOPOLA
FLUSSO
FLOW
HANDLE



MANOPOLA
TEMPERATURA
THERMO HANDLE
STOP 38°C

MATERIALI / MATERIALS

OTTONE CROMATO / CHROME PLATED BRASS

CROMATURA / CHROME PLATING

UNI EN 248